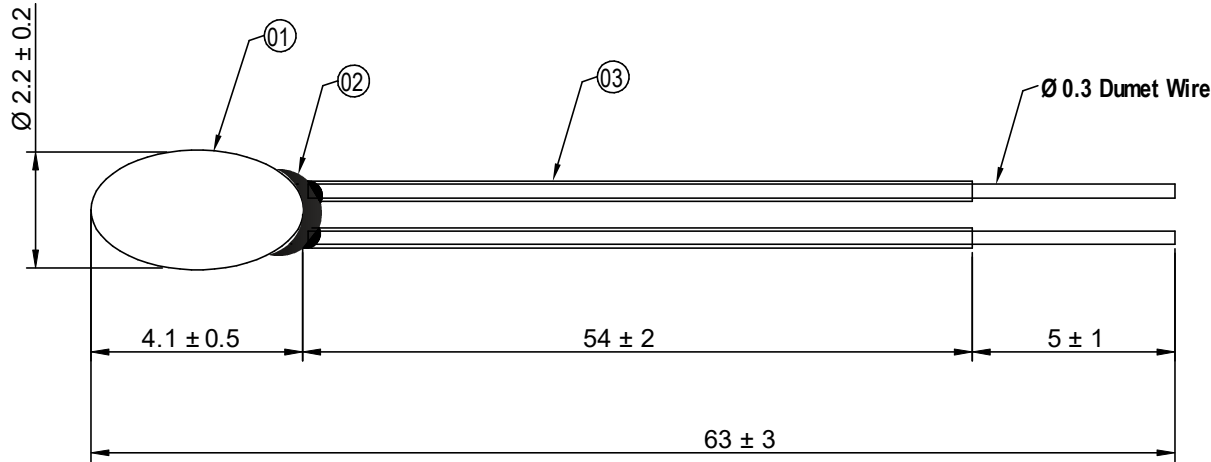


\* INDICATES A FUNCTION / SAFETY / COMPLIANCE CHARACTERISTIC

Rev No / ZONE      Date      Change      ECN



RT CHART

T	Rmin	Rcent	Rmax	DR	DT
(°C)	(kΩ)	(kΩ)	(kΩ)	(%)	(°C)
-40	1410.1	1521.9	1642.1	7.9	1.21
-30	762.02	817.31	876.43	7.2	1.19
-20	429.35	457.84	488.12	6.6	1.17
-10	250.64	265.82	281.87	6	1.13
0	150.93	159.25	168	5.5	1.09
10	93.458	98.138	103.03	5	1.05
20	59.375	62.063	64.858	4.5	1
30	38.631	40.205	41.834	4.1	0.95
40	25.701	26.638	27.604	3.6	0.89
50	17.46	18.026	18.607	3.2	0.84
60	12.096	12.443	12.796	2.8	0.78
70	8.536	8.749	8.966	2.5	0.71
80	6.127	6.259	6.393	2.1	0.65
90	4.469	4.551	4.633	1.8	0.58
100	3.309	3.359	3.409	1.5	0.51
110	2.469	2.514	2.559	1.8	0.64
120	1.868	1.907	1.946	2.1	0.78
130	1.43	1.464	1.498	2.3	0.92
140	1.108	1.137	1.167	2.6	1.06
150	0.8679	0.8929	0.9184	2.9	1.22
160	0.687	0.7084	0.7303	3.1	1.38
170	0.5492	0.5676	0.5864	3.3	1.55
180	0.4431	0.4589	0.4752	3.5	1.72
190	0.3607	0.3744	0.3884	3.8	1.9
200	0.2961	0.3079	0.32	4	2.08

**ELECTRICAL SPECIFICATIONS:**

- ZERO POWER RESISTANCE @ 100°C : 3.359kΩ ± 1.5%
- β- VALUE (25/100°C) : 4000K ± 1%
- DISSIPATION CONSTANT : Max 1.5 mW/°C
- THERMAL TIME CONSTANT : 9-15 s
- INSULATION RESISTANCE AT 500 VDC (BETWEEN GLASS AND LEAD WIRE) : 50 MΩ

NOTE:

- CONTINUOUS OPERATING TEMPERATURE RANGE : -40°C TO +200°C
- SHORT TIME OPERATING TEMPERATURE : 250°C MAX.
- STORAGE TEMPERATURE : -40°C TO 85°C
- Product comply with RoHS directive of 2015/863/EU.

03	RMS-1020-F	UL APPROVED PTFE SLEEVE 24 AWG - CLEAR
02	RMR-1021	RESIN- BLACK
01	TNT-G-1007-3.359F-A	NTC CHIP WITH SEALING
Sl. No	TST PART No.	MATERIAL DESCRIPTION

**MATERIAL PART LIST**

**THERMOSEN  
TECHNOLOGIES PVT. LTD.**

PROJECTION SCALE NTS UNITS mm SHEET 1 OF 1

TOLERANCES UNLESS SPECIFIED	X.XXX	0.05	OVER	6	30	120	315	1000	2000	ANGLE (°)
	X.XX	0.10	UP TO	30	120	315	1000	2000	-	RIGHT 1.0
	X.X	0.25	±	2.0	3.0	5.0	10.0	20.0	50.0	OTHER 1.5

The copyright of this Specification / Drawing is the property of THERMOSEN TECHNOLOGIES PVT. LTD and it is issued on the condition that it is not to be copied / eprinted or stored in an electronic retrieval system nor its contents disclosed either wholly or in part to any third party without either the consent in writing or with the conditions of a contract with THERMOSEN TECHNOLOGIES PVT.LTD.

PART NO.:	TNA-S-10452 L630				
PART NAME:	THERMISTOR SENSOR				
DRAWING NO.:	PD - 21031601				
DATE	ISS	DRN	CHD	APD	
16.03.21	1	EPN	--	SJ	